

KEY PLAN
SCALE 1:1 500 000

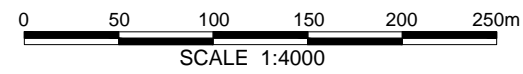
BASE AIRPHOTO TAKEN IN JULY 2, 2006 TO AUGUST 10, 2006



PEACE REGION (PEACE RIVER/HIGH LEVEL)
2015 682:02 CALLOUT - EAST SIDE OF HINES CREEK BRIDGE
HWY 682:02, km 12.6~12.7

SITE LOCATION PLAN

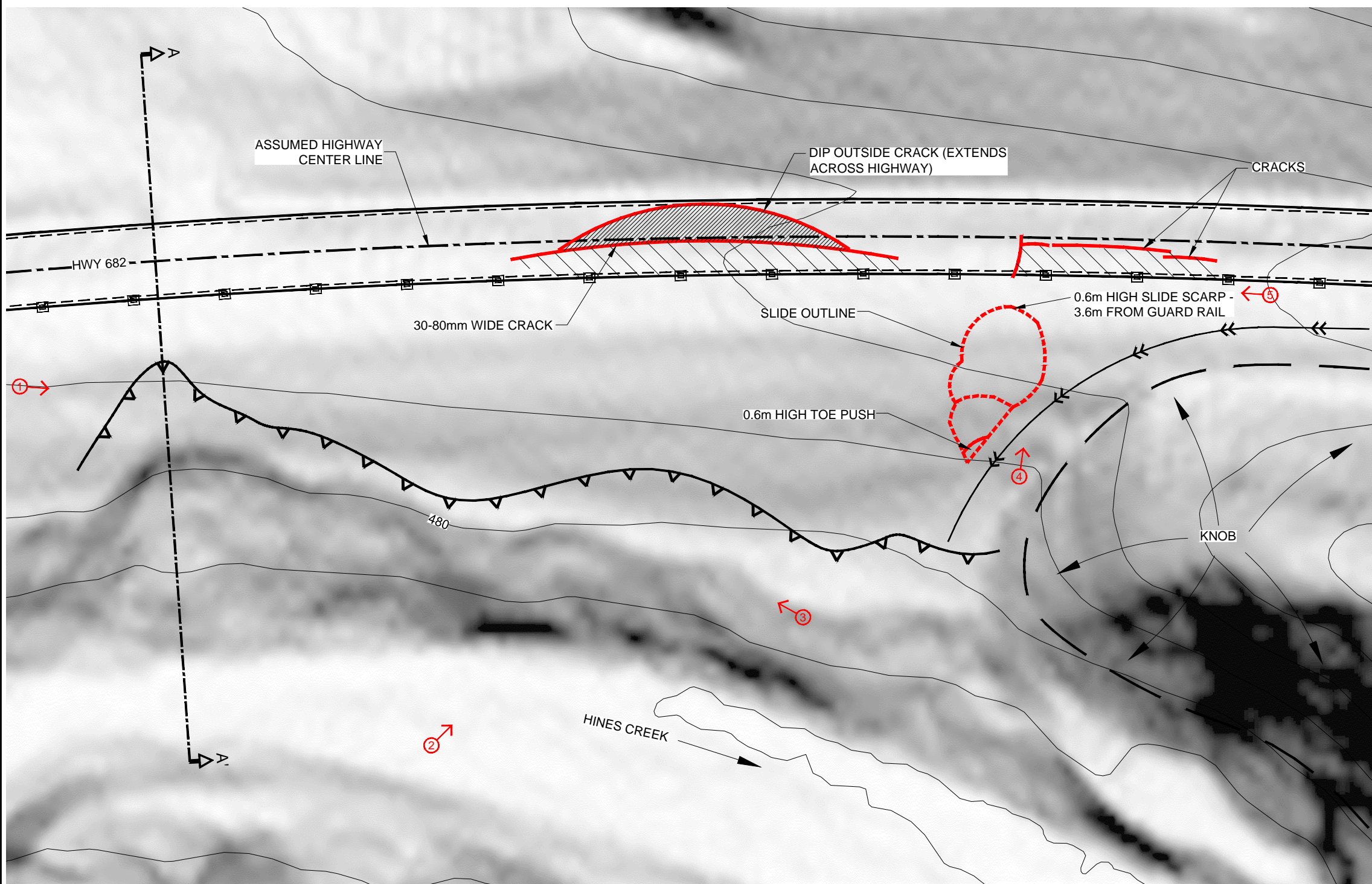
PLAN 1



DRAWN BY	ML
DESIGNED BY	BDM
APPROVED BY	DWP
SCALE	1:4000
DATE	JUNE 8, 2015
FILE No.	15-16-361



H:\1516-361 PH Geohazard Assessments - 2015- Edmonton Office\Drafting\BDM\15-16-361 HWY 682-02 PLAN1-3.dwg - 2 - Dec. 02, 2015



- LEGEND**
- APPROXIMATE GUARD RAIL LOCATIONS
 - DITCH
 - PHOTOGRAPH NUMBER, AND APPROXIMATE DIRECTION AND LOCATION

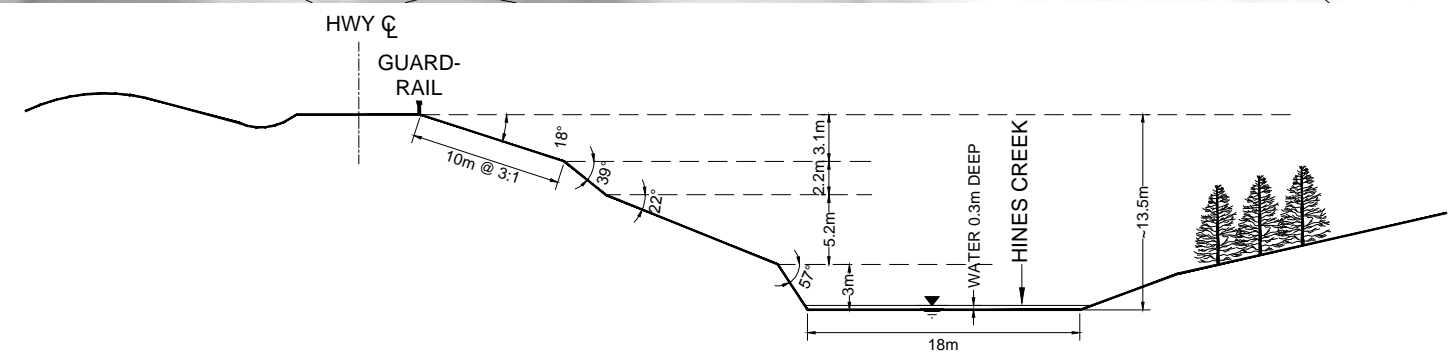
BASE AIRPHOTO TAKEN IN JULY 2, 2006 TO AUGUST 10, 2006



PEACE REGION (PEACE RIVER/HIGH LEVEL)
2015 682:02 CALLOUT - EAST SIDE OF HINES CREEK BRIDGE
HWY 682:02, km 12.6-12.7

SITE A

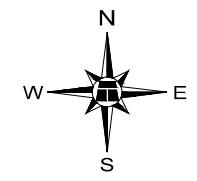
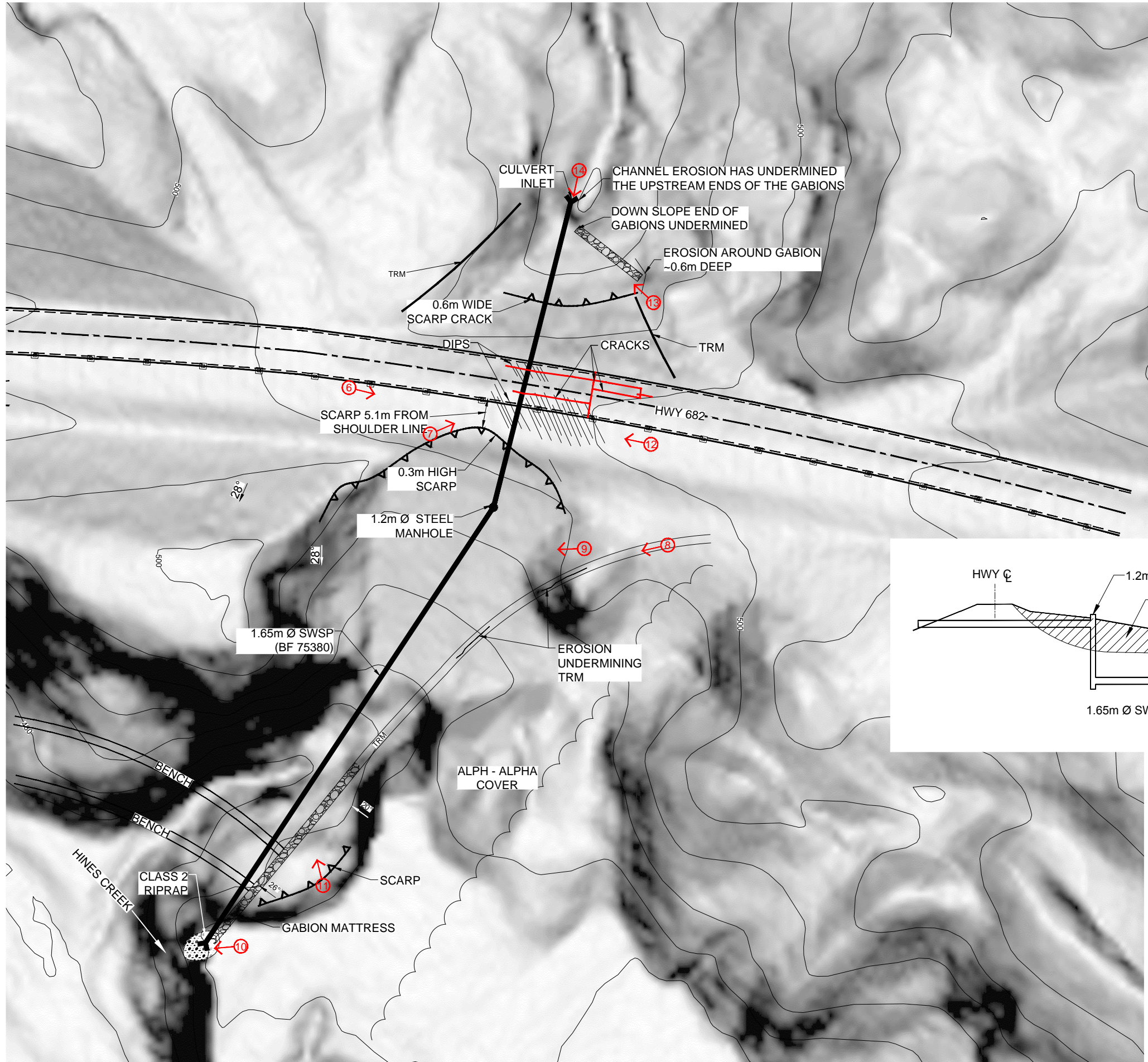
PLAN 2



CROSS - SECTION A - A'

DRAWN BY	ML
DESIGNED BY	BDM
APPROVED BY	DWP
SCALE	1:500
DATE	JUNE 8, 2015
FILE No.	15-16-361

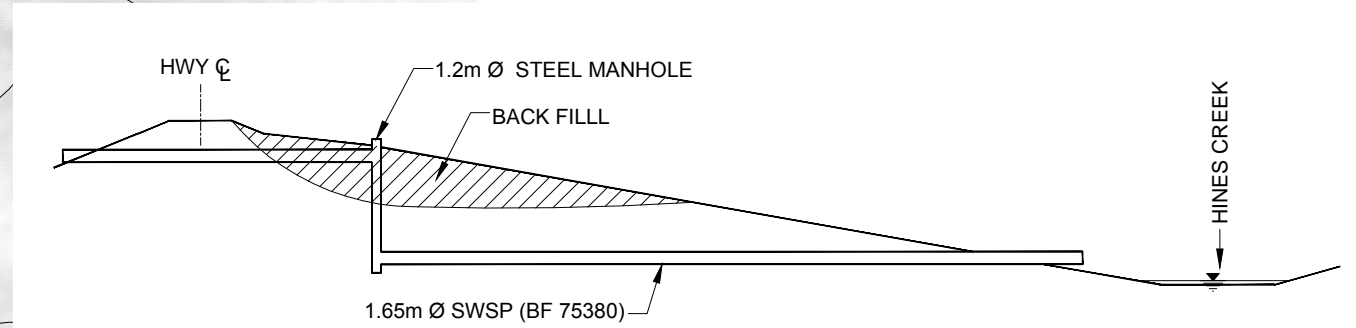




LEGEND

- SLIDE SCARP
- APPROXIMATE TREE LINE
- APPROXIMATE GUARD RAIL LOCATIONS
- PHOTOGRAPH NUMBER, AND APPROXIMATE DIRECTION AND LOCATION

NOTE:
GABIONS LACKING INTERMEDIATE BAFFLES AND LIDS NOT ADEQUATELY TIED.



CROSS - SECTION ALONG CULVERT

N. T. S.

BASE AIRPHOTO TAKEN IN JULY 2, 2006 TO AUGUST 10, 2006



PEACE REGION (PEACE RIVER/HIGH LEVEL)
2015 682:02 CALLOUT - EAST SIDE OF HINES CREEK BRIDGE
HWY 682:02, km 12.6-12.7

SITE B

PLAN 3

DRAWN BY	ML
DESIGNED BY	BDM
APPROVED BY	DWP
SCALE	1:750
DATE	JUNE 8, 2015
FILE No.	15-16-361

