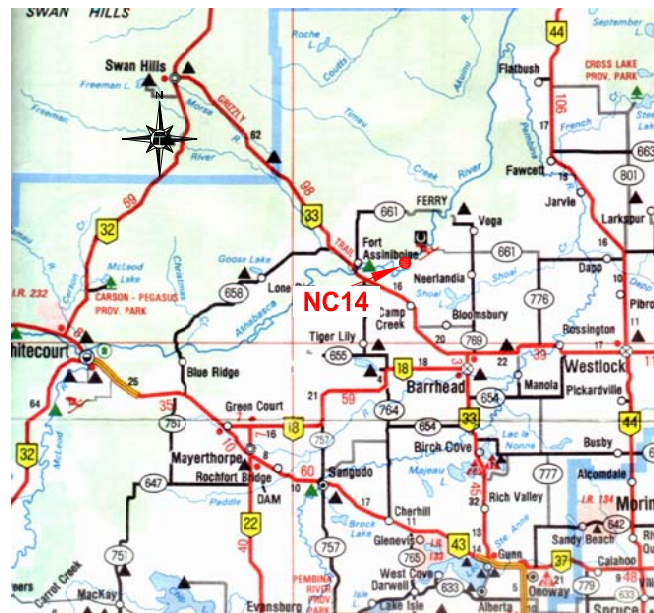
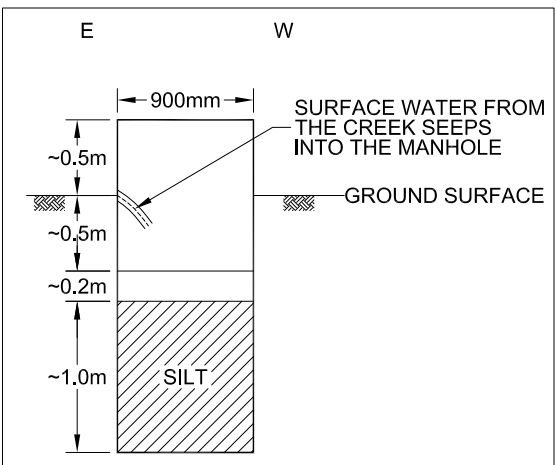


Z:\15\15-16-259\15-16-259\_NC14-1.dwg - 1 - Dec. 09, 2011



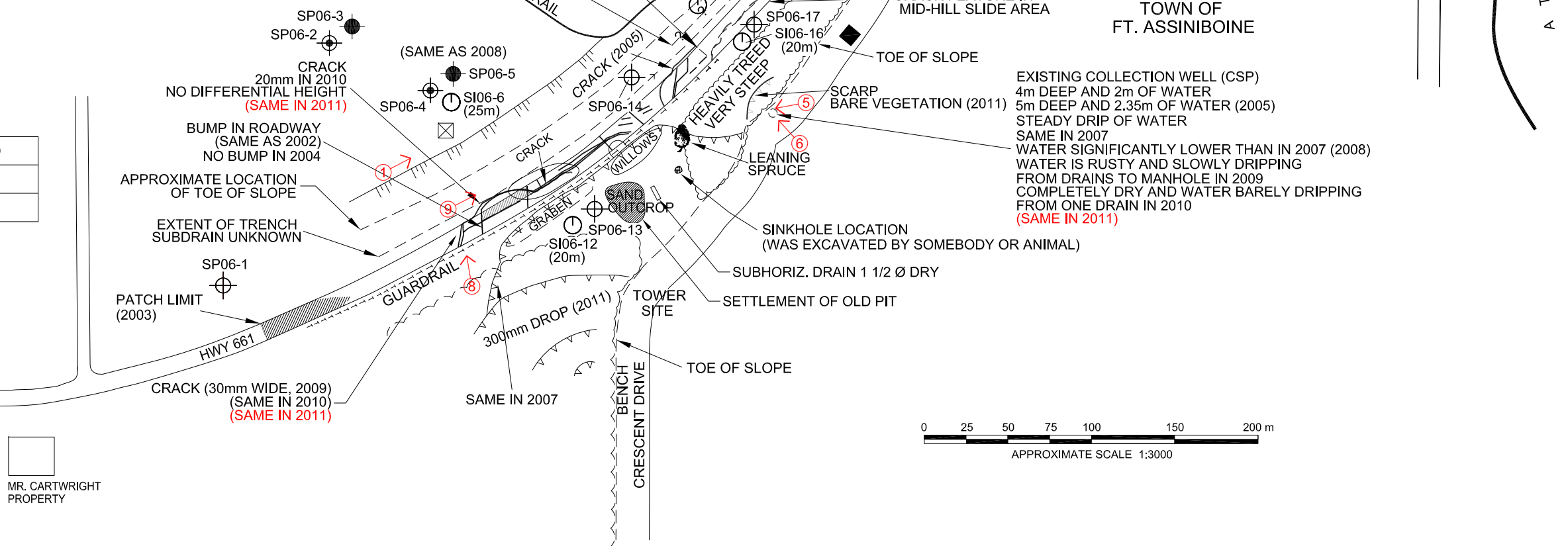
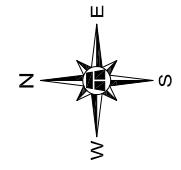
**KEY MAP**  
N.T.S.



- NOTES:**
- SUBHORIZONTAL DRAIN PIPES ARE SUBMERGED UNDER WATER.
  - BOTTOM OF MANHOLE COULD BE DEEPER THAN SHOWN ON THE SKETCH.

**MANHOLE #1 DETAILS (2011)**  
N.T.S.

	GPS COORDINATES (UTM-NAD83)	
	NORTHING	EASTING
CATCH BASIN	6023315	644904



- LEGEND**
- ASPHALT PATCH
  - ASPHALT PATCH (2004)
  - SI (m) SLOPE INCLINOMETER AND DEPTH
  - SP STANDPIPE PIEZOMETER (25m DEPTH)
  - SP STANDPIPE PIEZOMETER (15m DEPTH)
  - SP STANDPIPE PIEZOMETER (10m DEPTH)
  - PHOTOGRAPH APPROXIMATE LOCATION AND DIRECTION (MAY 4, 2011)
  - WEATHER STATION
  - CATCH BASIN
  - MR. CARTWRIGHT PROPERTY

- NOTES**
- FEATURE LOCATIONS ARE APPROXIMATE.
  - PREVIOUS OBSERVATIONS SHOWN IN BLACK
  - THREE LEVEL LOGGERS WERE INSTALLED IN SP06-2, SP06-3, AND SP06-13 AND TWO VIBRATING WIRE PIEZOMETERS WERE INSTALLED IN SP06-4 AND SP06-5.
  - MAY 4, 2011 OBSERVATIONS ARE SHOWN IN RED**

BASE PLAN FROM THURBER ENGINEERING REPORT 15-16-192 THURBER PROJECT #15-16-259

**ALBERTA TRANSPORTATION**

**SITE PLAN SHOWING EXISTING FEATURES**

NORTH CENTRAL (ATHABASCA) 2011  
GEOHAZARD ASSESSMENTS

NC14 - HWY 661:02 km1.8  
NW-1-62-6-W5M  
N. OF FT. ASSINIBOINE, AB

**THURBER ENGINEERING LTD.**  
GEOTECHNICAL • ENVIRONMENTAL • MATERIALS

ENGINEER:	TSA	DRAWN:	HH	APPROVED:	DWP
DATE:	MAY 2011	SCALE:	APPR. SCALE 1:3,000	DRAWING No.:	FIGURE NC14-1